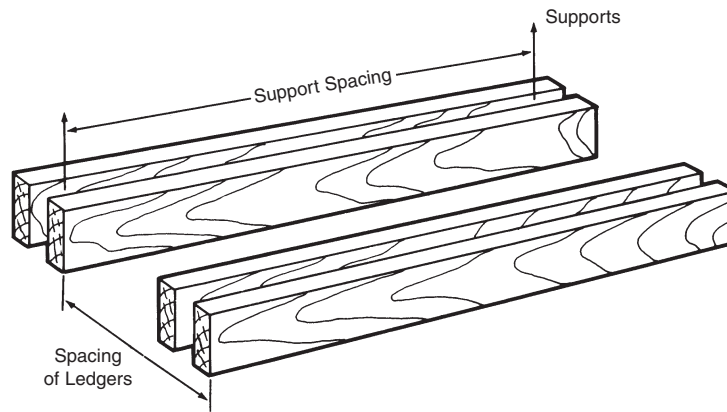


## Technical Data — Ledgers



| Safe Spacing, Inches, of Supports for Double Ledgers, Single Span<br>Based on use of No. 2 Grade Southern Pine or Douglas Fir-Larch |   |      |                    |                          |      |
|---|---|------|--------------------|--------------------------|------|
| Uniform Load, Pounds per Linear Foot<br>(Equals Design Load, Pounds per Square Foot, Times Spacing of Ledgers in feet.)             | F <sub>b</sub> varies with member                         |      | E' = 1,400,000 psi | F <sub>v</sub> = 225 psi |      |
|   | Nominal Size Lumber, bxh S4S 19% Maximum Moisture Content |      |                    |                          |      |
|   | 2x4   | 2x6  | 2x8                | 2x10                     | 2x12 |
|   | F <sub>b</sub> psi  |      |                    |                          |      |
|   | 1625  | 1440 | 1310               | 1150                     | 1090 |
| 600   | 40"   | 59"  | 74"                | 89"                      | 105" |
| 800   | 35"   | 51"  | 64"                | 77"                      | 91"  |
| 1000  | 31"   | 46"  | 58"                | 69"                      | 81"  |
| 1200  | 28"   | 42"  | 52"                | 63"                      | 74"  |
| 1400  | 26"   | 39"  | 49"                | 58"                      | 69"  |
| 1600  | 24"   | 36"  | 45"                | 54"                      | 64"  |
| 1800  | 23"   | 34"  | 43"                | 51"                      | 61"  |
| 2000  | 22"   | 32"  | 41"                | 49"                      | 58"  |
| 2200  | 21"   | 31"  | 39"                | 46"                      | 55"  |
| 2400  | 20"   | 30"  | 37"                | 44"                      | 53"  |
| 2600  | 19"   | 28"  | 36"                | 43"                      | 50"  |
| 2800  | 18"   | 27"  | 34"                | 41"                      | 49"  |
| 3000  | 18"   | 26"  | 33"                | 40"                      | 47"  |
| 3200  | 17"   | 26"  | 32"                | 38"                      | 45"  |
| 3400  | 17"   | 25"  | 31"                | 37"                      | 44"  |
| 3600  | 16"   | 24"  | 30"                | 36"                      | 43"  |
| 3800  | 16"   | 23"  | 29"                | 35"                      | 42"  |
| 4000  | 15"   | 23"  | 29"                | 34"                      | 41"  |

**Note:** F<sub>b</sub> and F<sub>v</sub> shown above includes a 25% increase because of short term loading conditions. Horizontal shear stress adjustment assumes members have no splits, checks or shakes. Support spacings are governed by bending, shear or deflection. Maximum deflection is  $l/270$  of spacing, but not more than  $1/4$ ". Contact Dayton/Richmond for safe spacings of supports for joist or studs used over two spans.