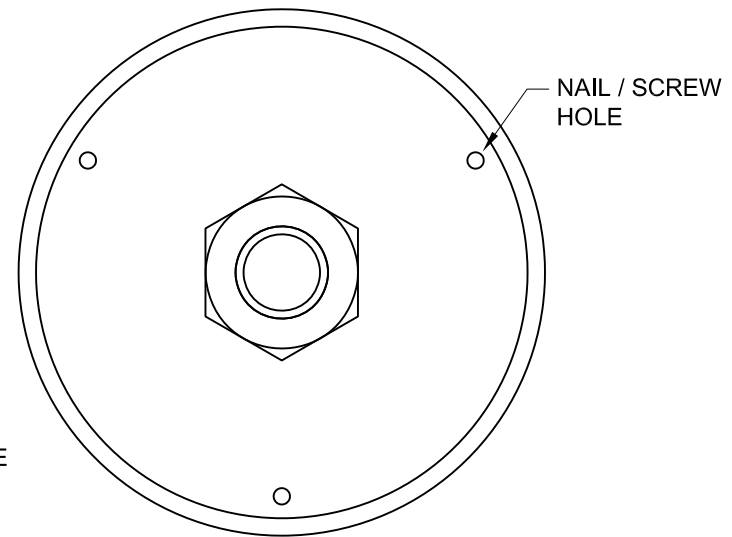


ELEVATION



PLAN  
(YOKE NOT SHOWN)

THIS DRAWING IS THE PROPERTY OF GAMCO INC. AND IS FURNISHED FOR THE EXCLUSIVE USE OF THE CUSTOMER ON THE CONDITION THAT IT MAY NOT BE COPIED, SHARED, OR TRANSMITTED TO ANY OTHER PARTY WITHOUT THE WRITTEN CONSENT OF GAMCO INC.

**NOTES:**  
SWL OF BASE AND YOKE COMBINATION = 8,850 LBS.

**REVISION:** -  
**MATERIAL:** -  
**FINISH:** ELECTRO GALVANIZED  
**TOLERANCE:** -  
-  
-

**PART NAME:**  
SCREED BASE TYPE 'C'

**PART #:**  
--

**REFERENCE:**  
SCREED BASE

DRAWN:	DATE:	SCALE:	UNITS:	SHEET:
MRM	12/29/22	NA	IN	1/1

 **GAMCO INC.**  
GAMCOFORM.COM  
513.561.8331 | 3550 ROUND BOTTOM RD.  
CINCINNATI, OH 45244